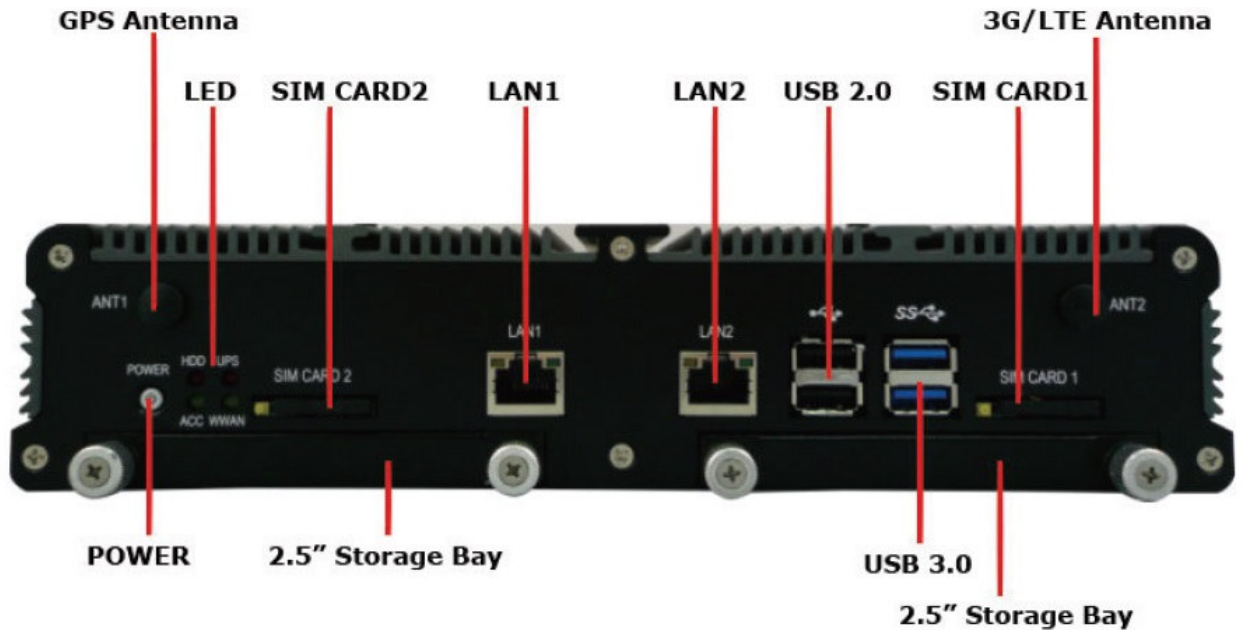


Quick guide **spo-book** MOVE QM87

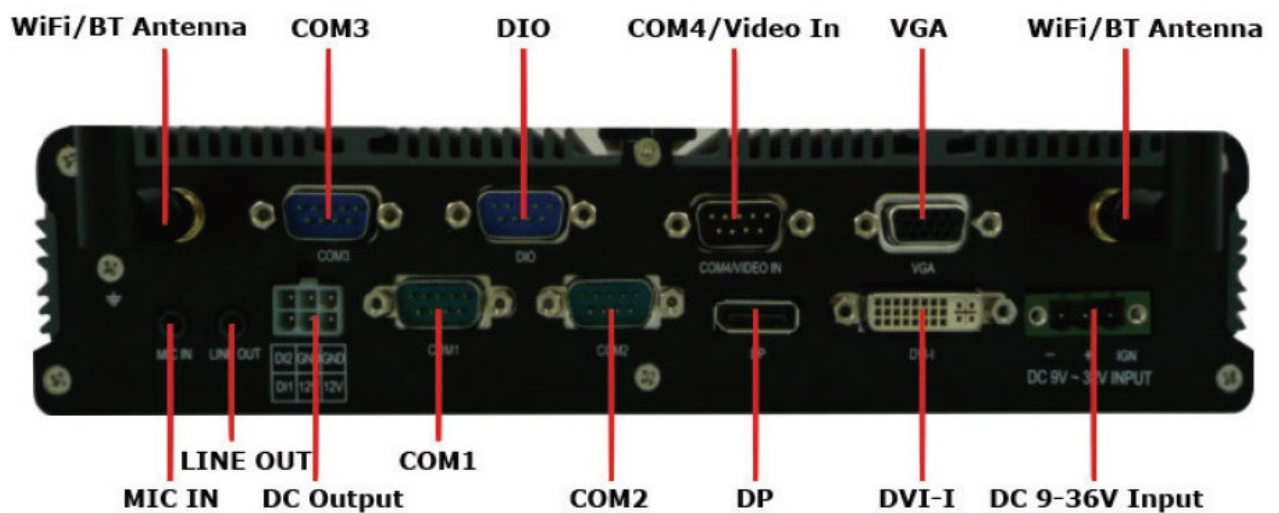
Please check before you start the device:

- If the device temperature conforms to the recommended operating temperature.
- If the power source is correctly connected.
- If all adaptors and connectors are properly connected.

1. Front Panel:



2. Rear Panel:



3. Dimensions:



4. Assembling:

Fasten the Mounting Bracket to the chassis with the supplied screws.

5. BIOS:

Power on the computer and the system will start POST (Power On Self Test) process. When the message below appears on the screen, press „DEL“ to enter Setup. To save the BIOS settings press „F4“.

Short description of some BIOS settings:

5.1. Wake On RTC: That allow a computer to 'wake up' after shut down to execute tasks every day or on a certain day. -> **Power-> RTC**

5.2. Restore on AC Power Loss: This setting specifies whether your system will reboot after a power failure or interrupt occurs.-> **Chipset -> Restore AC Power Loss**

[Power Off] Leaves the computer in the power off state.

[Power ON] Leaves the computer in the power on state.

[Last State] Restores the system to the previous status before power failure or interrupt occurred.

5.3. pxe-Boot: boot an OS via LAN and DHCP -> **Boot**

5.4. Wake On LAN: Wake-on-LAN (WoL) is a particular function that allows the computer to be powered up from a low-power state by a message from another part of a local area network.

-> **Chipset -> Wake on Lan**

6. Drivers:

The drivers for the spo-book MOVE QM87 can be found in our product catalog on the product page under the tab "Product Details and Downloads" and on the supplied driver stick.

Direktlink: <http://www.spo-comm.de/products/en/mini-pcs/move-qm87-fanless.html>

